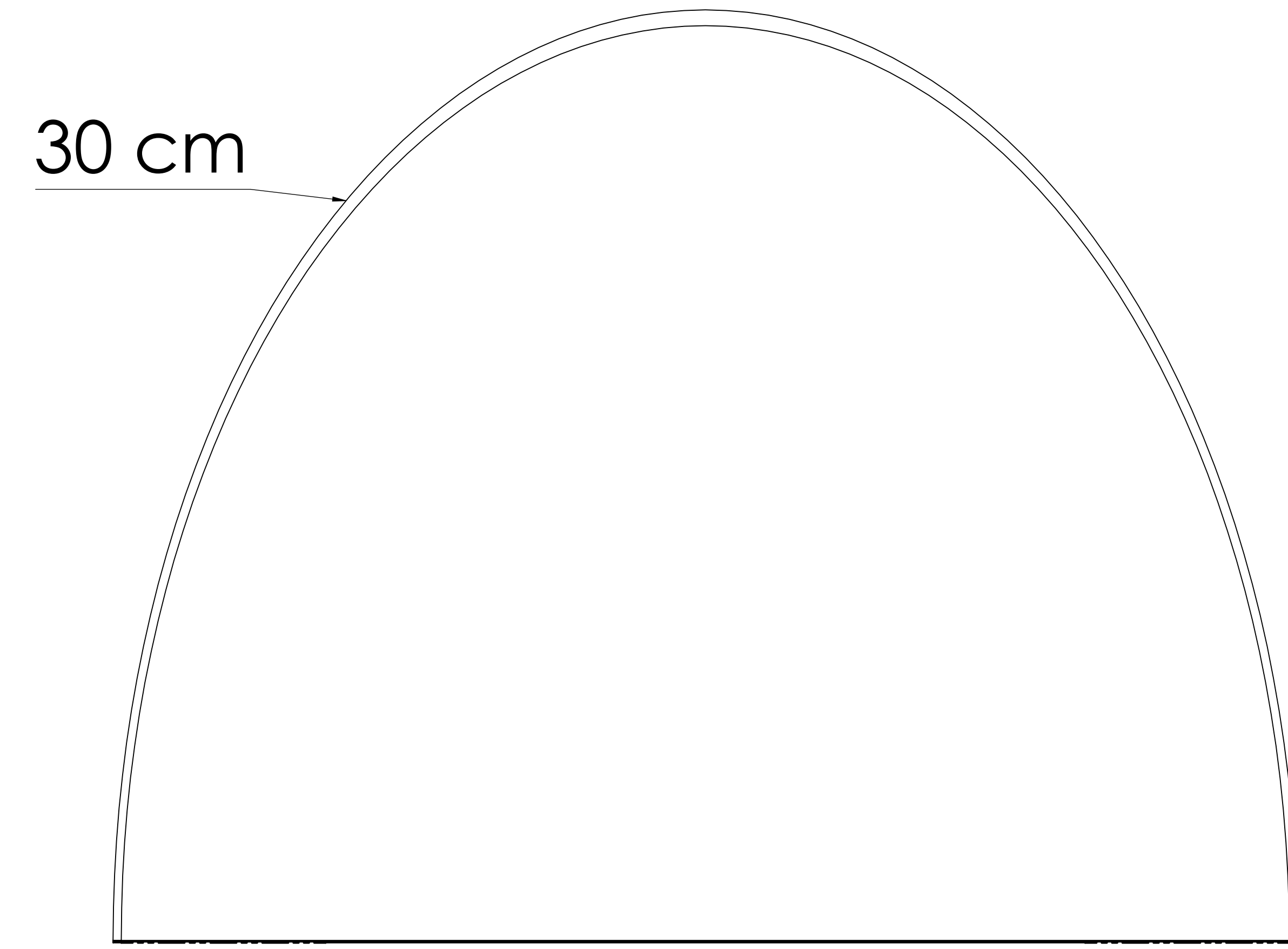
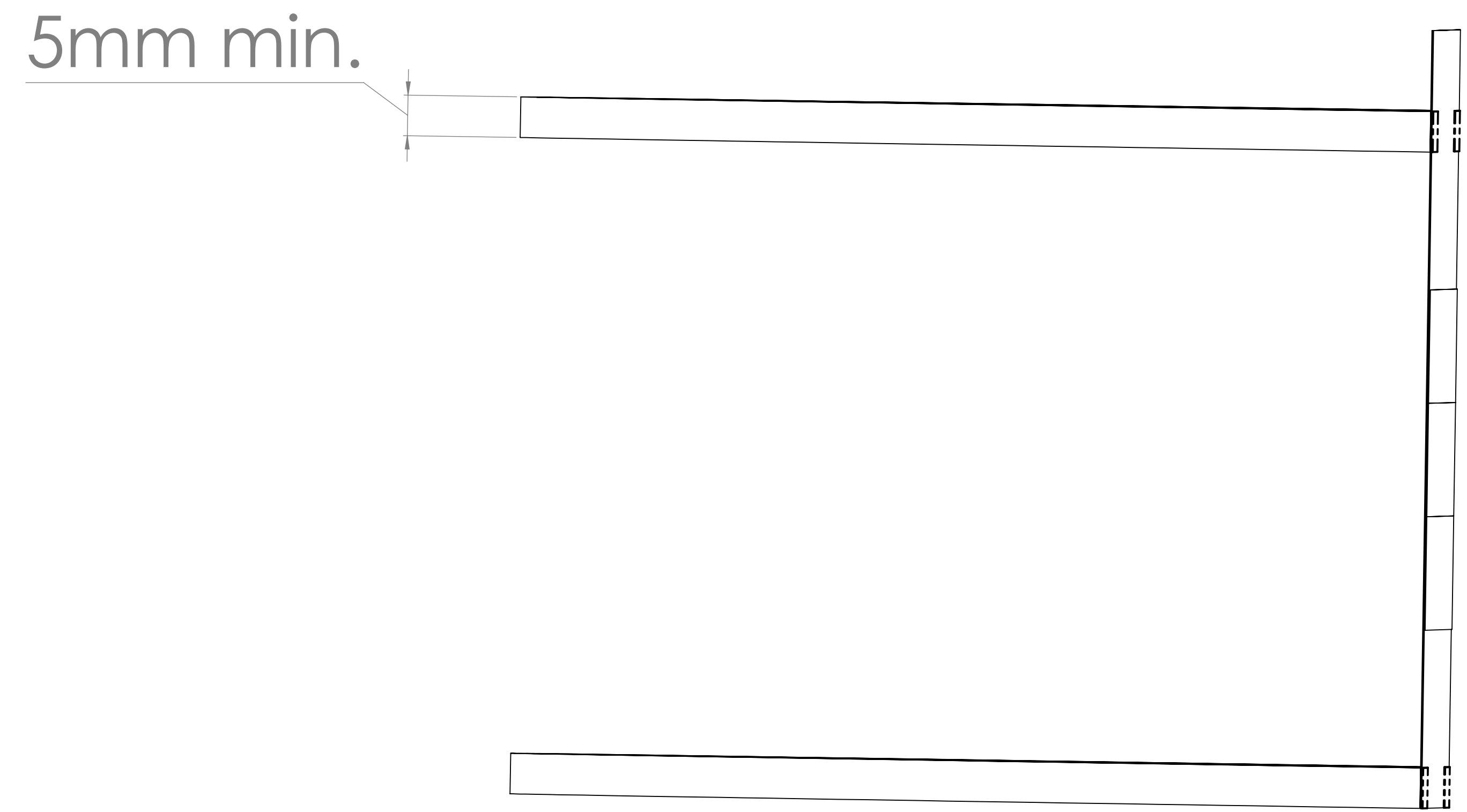


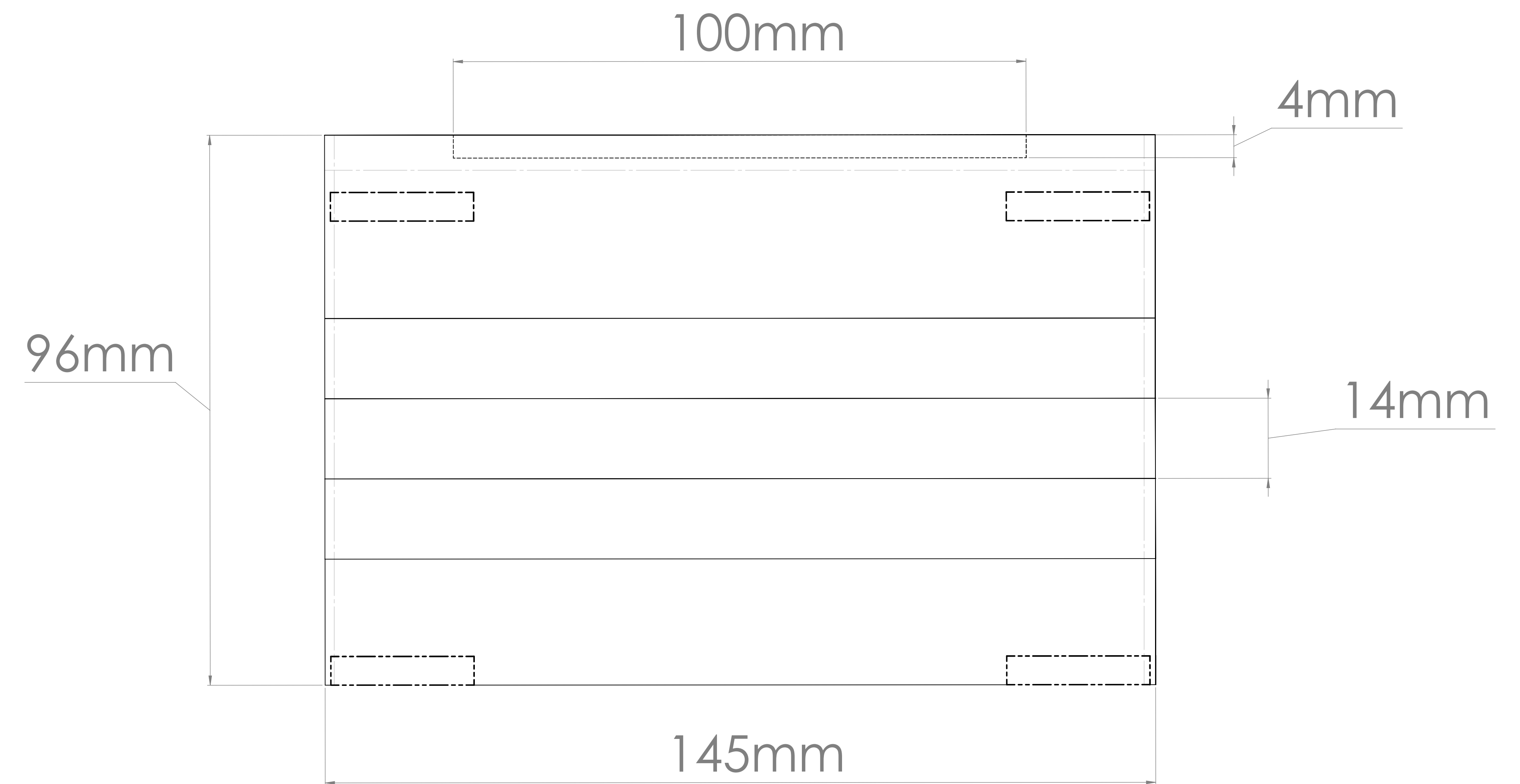
Vue de dessus



Vue de côté



Vue de face



PROJET: DESIGNING PROTECTIVE EQUIPMENT		PROJ: 001		LIBRARI AND DESIGN SHAPES		DOCHTSCHEIDUNG		REVISION	
TOLERANCES: DIM: ANGULAR		NAME: SCHAUER		DATE:		TITEL:		DWG NO: Mask-V1	
DRAWN: []		DATE:		MATERIAL:		SCALE: 1:1		SHEET OF 1	
CHKD: []		DATE:		MATERIAL:		SCALE: 1:1		SHEET OF 1	
APPROV: []		DATE:		MATERIAL:		SCALE: 1:1		SHEET OF 1	
MFO: []		DATE:		MATERIAL:		SCALE: 1:1		SHEET OF 1	
S.A: []		DATE:		MATERIAL:		SCALE: 1:1		SHEET OF 1	