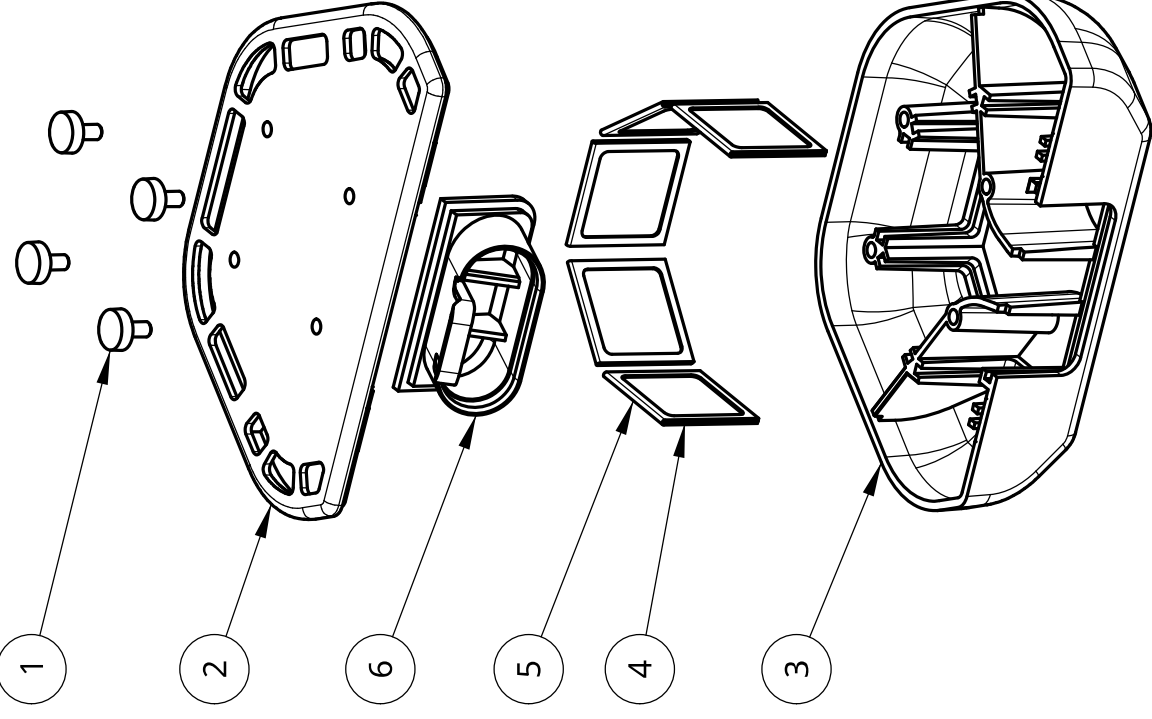


1

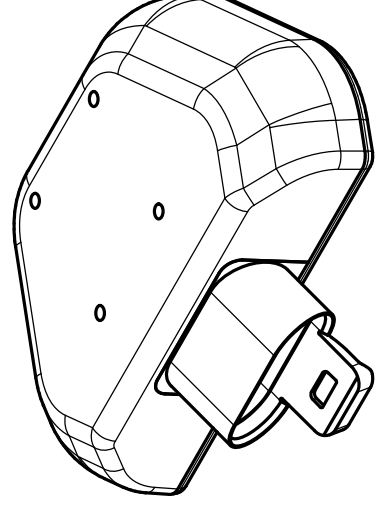
2

B



Item No.	Quantity	Part number	Description
1	4	CRKW4-8	M4 SCREW
2	1	TAP-001	BODY
3	1	TAP-002	SHELL
4	5	TAP-005	ZEP FILTER
5	5	TAP-004	CARDBOARD FRAME
6	1	TAP-003	MASK CONNECTOR

A



SCALE 1:2

A

SCALE 1:2

**Notes:**

1. THIS DRAWING IS FOR INFORMATIONAL USE ONLY AND NOT INTENDED FOR PRODUCTION

UNLESS OTHERWISE SPECIFIED, DIMENSIONS ARE IN MILLIMETERS		NAME	DATE
DRAWN	RP		04/14/2020
CHECKED	FAL		04/14/2020
APPROVED			
DO NOT SCALE DRAWING		TITLE	
BREAK ALL SHARP EDGES AND REMOVE BURRS		TORTUGA AP	
THIRD ANGLE PROJECTION		TORTUGA AP ASSEMBLY	
		SIZE	REV.
		A	A
		SCALE	1:2
		WEIGHT	1 of 1
		SHEET	1 of 1

2

1

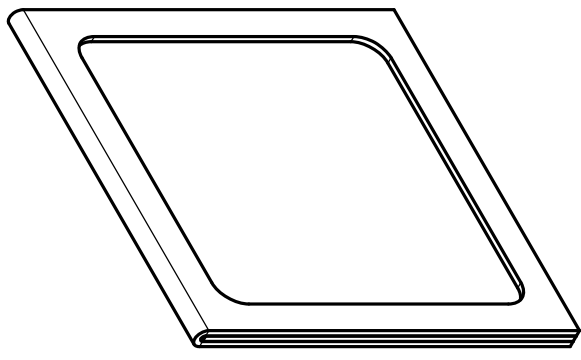
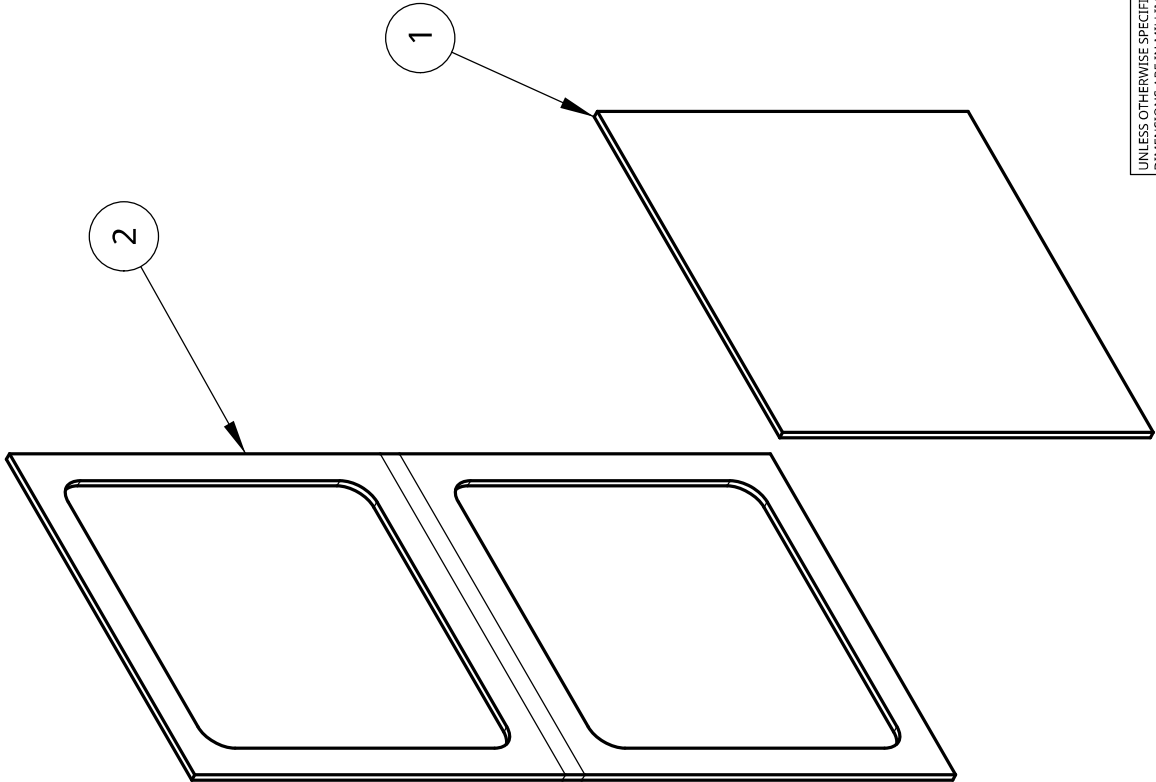
1

2

B

A

Item No.	Quantity	Part number	Description
1	1	TAP-005	ZEP FILTER
2	1	TAP-004	CARDBOARD FRAME



**Notes:**

1. THIS DRAWING IS FOR INFORMATIONAL USE ONLY AND NOT INTENDED FOR PRODUCTION

DRAWN		NAME	DATE
CHECKED		RP	04/14/2020
APPROVED		FAL	04/14/2020
UNLESS OTHERWISE SPECIFIED, DIMENSIONS ARE IN MILLIMETERS			
BREAK ALL SHARP EDGES AND REMOVE BURRS			
THIRD ANGLE PROJECTION			
MATERIAL		FINISH	
TORTUGA AP		TITLE	
FILTER ASSEMBLY		TORTUGA AP	
SIZE	DWG NO.	REV.	
A	TAP-AS-01	A	
SCALE	WEIGHT	SHEET	
2:1		1 of 1	

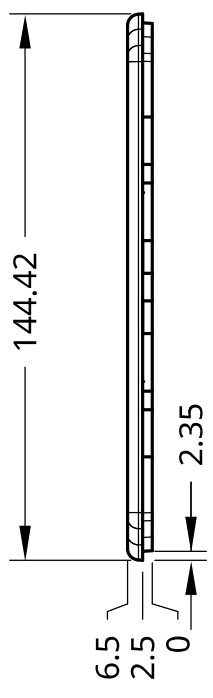
1

2

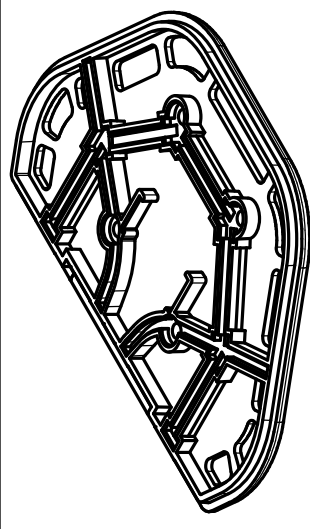
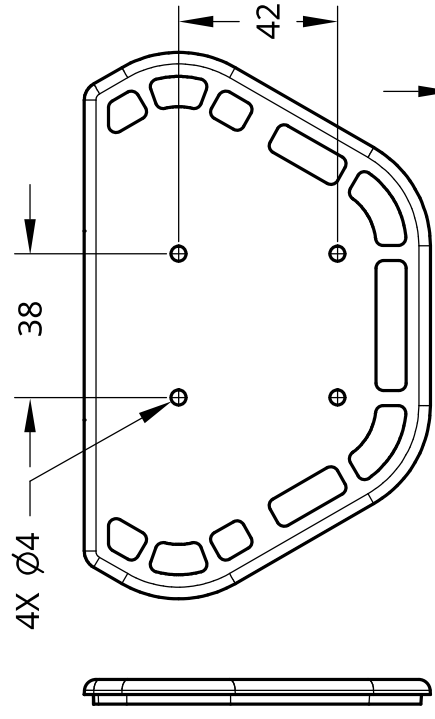
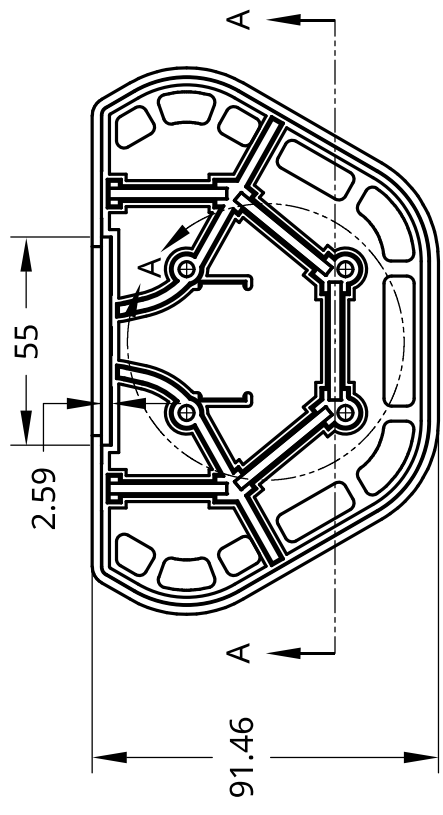
B

A

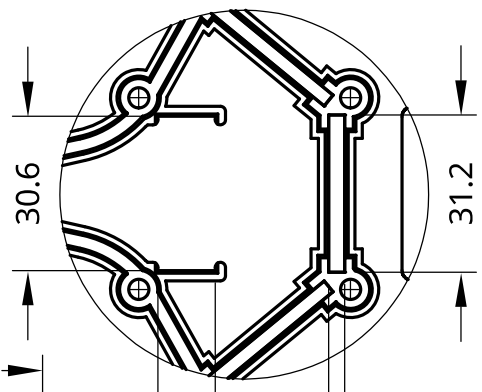
2



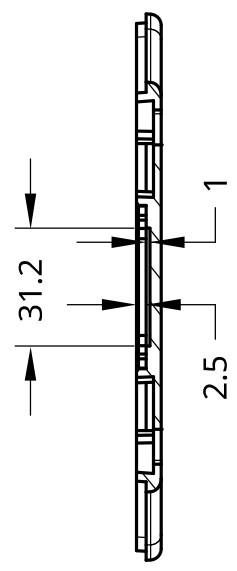
B



B



DETAIL A  
SCALE 2:3



SECTION A - A

A

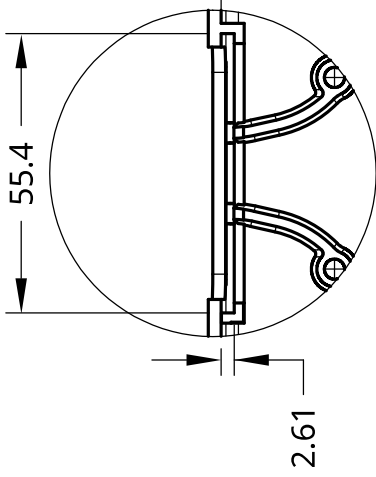
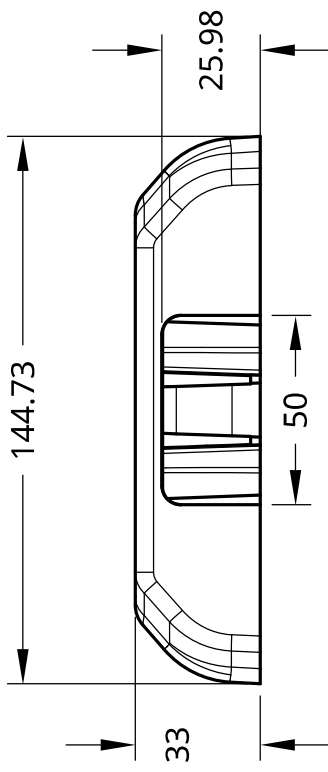
UNLESS OTHERWISE SPECIFIED, DIMENSIONS ARE IN MILLIMETERS		NAME	DATE	EasyBreath Filter	
DRAWN	RP		04/14/2020		
CHECKED	FAL		04/14/2020	TITLE	
APPROVED				Body	
DO NOT SCALE DRAWING BREAK ALL SHARP EDGES AND REMOVE BURRS		MATERIAL	FINISH	SIZE	REV.
THIRD ANGLE PROJECTION		POLYPROPYLENE		A	A
				SCALE	SHEET
				1:2	1 of 1

- Notes:**
1. THIS DRAWING SHOWS ONLY ENGINEERING CRITICAL TO FUNCTION DIMENSIONS
  2. ALL OTHER NON-DIMENSIONED FEATURES ARE TO BE CONTROLLED BY THE CAD DATABASE
  3. ALL VERTICAL SURFACES HAVE A 2° DRAFT ANGLE FOR INJECTION MOLDING MANUFACTURING
  4. THIS DRAWING IS FOR INFORMATIONAL USE ONLY AND NOT INTENDED FOR PRODUCTION

2

1

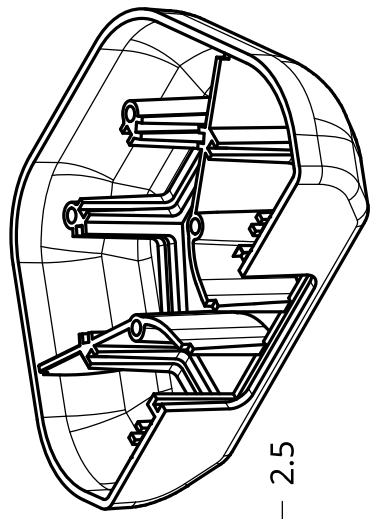
2



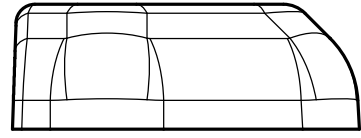
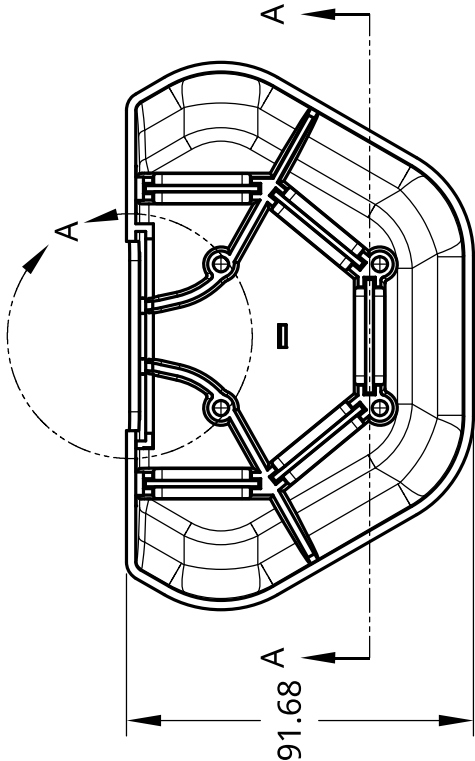
DETAIL A  
SCALE 2:3

B

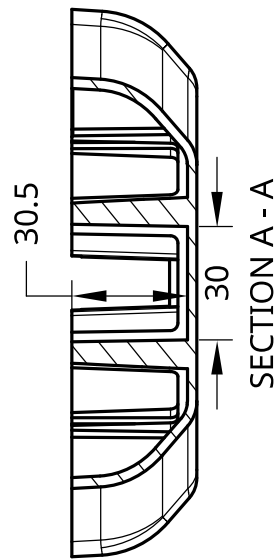
1



B



A



SECTION A - A

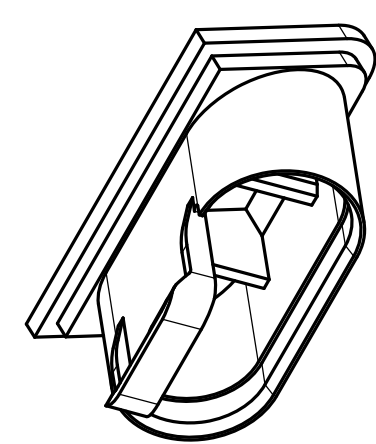
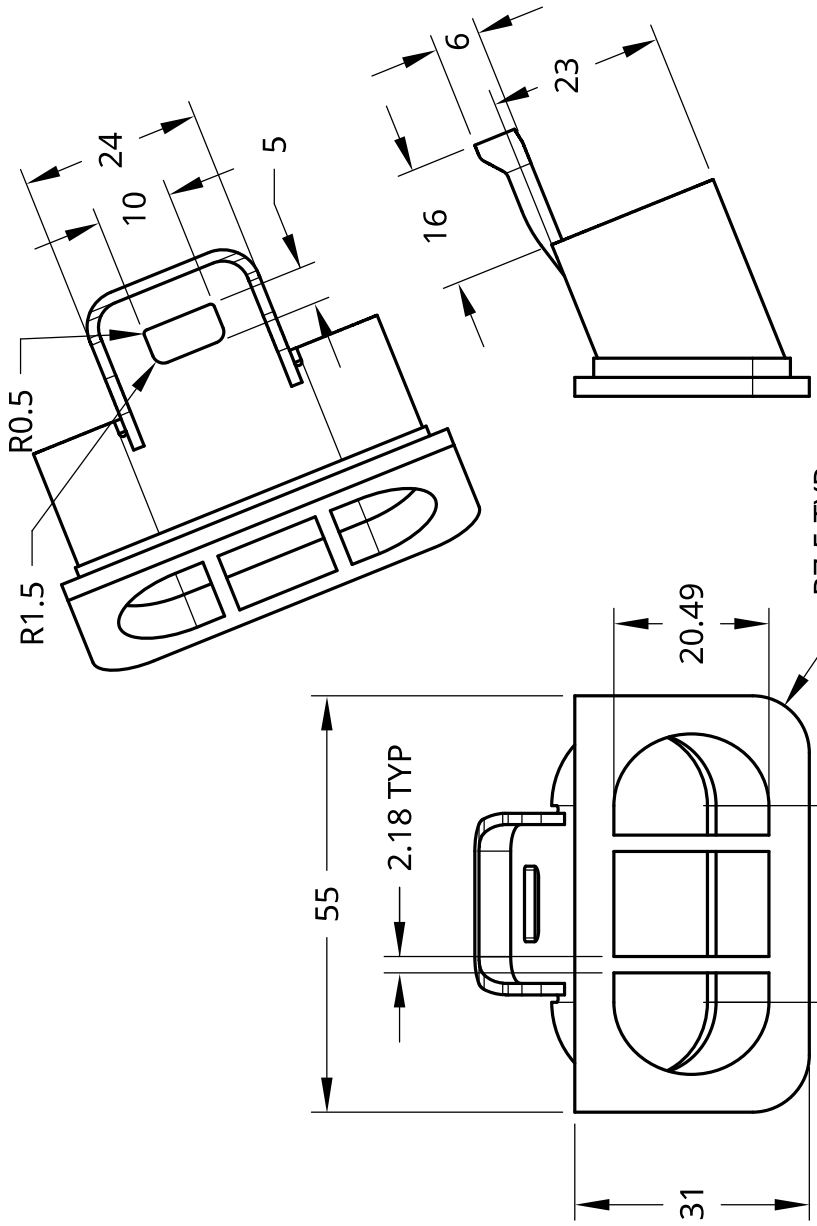
2

UNLESS OTHERWISE SPECIFIED, DIMENSIONS ARE IN MILLIMETERS		NAME	DATE	TORTUGA AP	
DRAWN	RP		04/14/2020		
CHECKED	FAL		04/14/2020	TITLE	
APPROVED					
DO NOT SCALE DRAWING		MATERIAL		SHELL	
BREAK ALL SHARP EDGES AND REMOVE BURRS		POLYPROPYLENE			
THIRD ANGLE PROJECTION		FINISH		DWG NO.	
				A	
				REV. A	
				SCALE 1:2	
				SHEET 1 of 1	

1

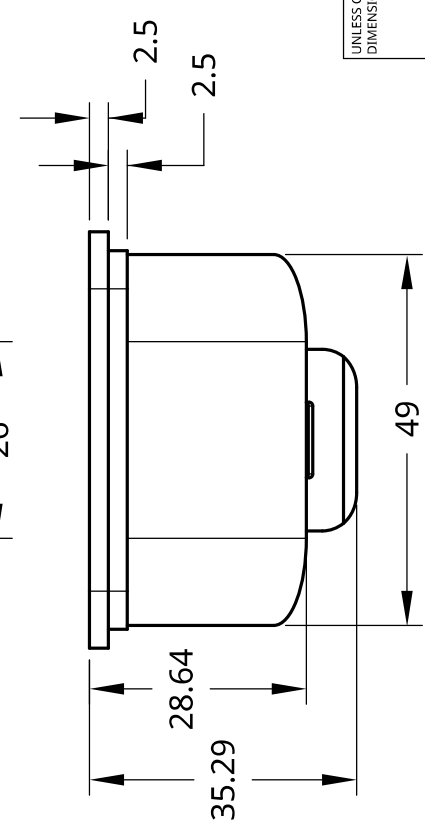
2

1



B

B



A

A

UNLESS OTHERWISE SPECIFIED, DIMENSIONS ARE IN MILLIMETERS		NAME	DATE
DRAWN	RP		04/14/2020
CHECKED	FAL		04/14/2020
APPROVED			
MATERIAL		FINISH	
TPE			
BREAK ALL SHARP EDGES AND REMOVE BURRS			
THIRD ANGLE PROJECTION			

TORTUGA AP

MASK CONNECTOR

TITLE

SIZE	DWG NO.	REV.
A	TAP-003	A
SCALE	WEIGHT	SHEET
1:1		1 of 1

Notes:

1. THIS DRAWING SHOWS ONLY ENGINEERING CRITICAL TO FUNCTION DIMENSIONS
2. ALL OTHER NON-DIMENSIONED FEATURES ARE TO BE CONTROLLED BY THE CAD DATABASE
3. ALL VERTICAL SURFACES HAVE A 2° DRAFT ANGLE FOR INJECTION MOLDING MANUFACTURING
4. THIS DRAWING IS FOR INFORMATIONAL USE ONLY AND NOT INTENDED FOR PRODUCTION

2

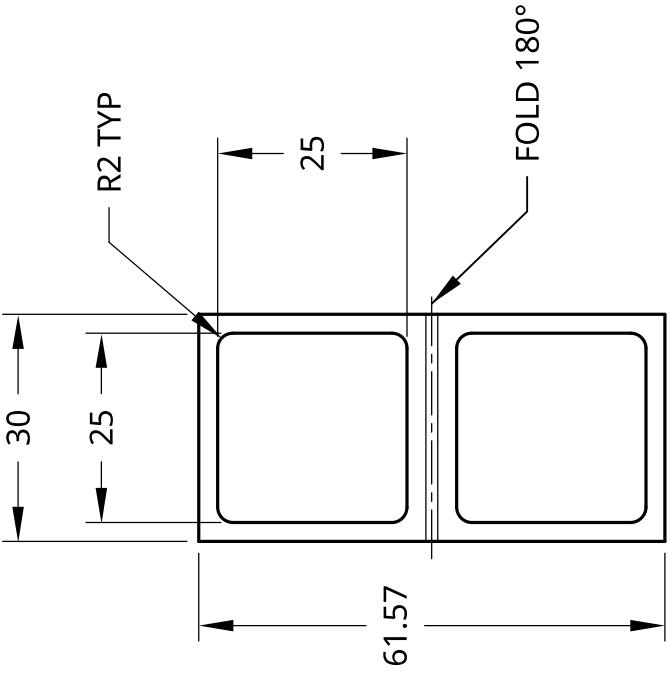
1

2

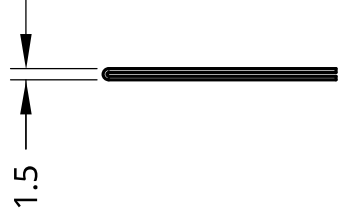
1

B

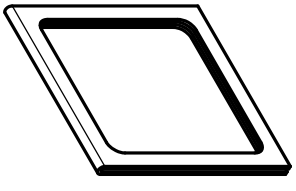
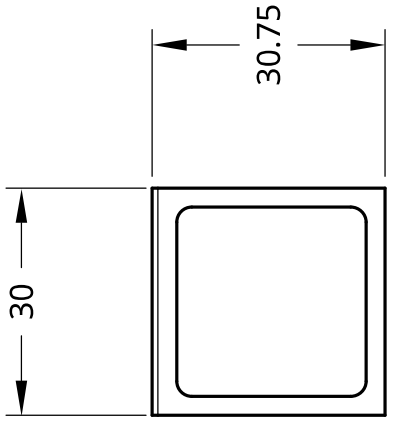
A



UNFOLDED



FOLDED



B

A

2

1

**Notes:**

1. THIS DRAWING SHOWS ONLY ENGINEERING CRITICAL TO FUNCTION DIMENSIONS
2. ALL OTHER NON-DIMENSIONED FEATURES ARE TO BE CONTROLLED BY THE CAD DATABASE
3. THIS DRAWING IS FOR INFORMATIONAL USE ONLY AND NOT INTENDED FOR PRODUCTION

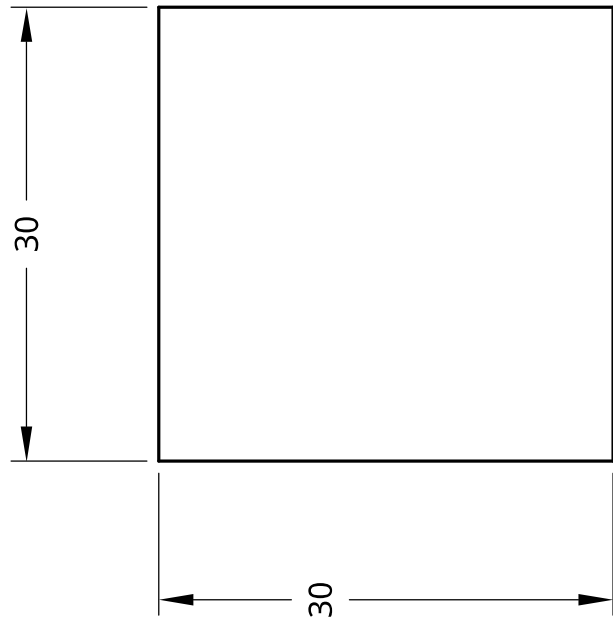
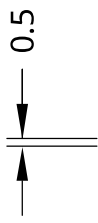
UNLESS OTHERWISE SPECIFIED, DIMENSIONS ARE IN MILLIMETERS		NAME	DATE	TORTUGA AP	
DRAWN		RP	04/15/2020		
CHECKED		FAL	04/15/2020	CARDBOARD FRAME	
APPROVED				TITLE	
DO NOT SCALE DRAWING				SIZE	REV. A
BREAK ALL SHARP EDGES AND REMOVE BURRS				SCALE	1:1
THIRD ANGLE PROJECTION				DWG NO.	TAP-004
				MATERIAL	CARDBOARD
				FINISH	
				SCALE	1:1
				WEIGHT	1 of 1
				SHEET	1 of 1

2

1

B

B



A

A

2

1

**NOTES:**

- 1. THIS DRAWING SHOWS ONLY ENGINEERING CRITICAL TO FUNCTION DIMENSIONS
- 2. ALL OTHER NON-DIMENSIONED FEATURES ARE TO BE CONTROLLED BY THE CAD DATABASE
- 3. THIS DRAWING IS FOR INFORMATIONAL USE ONLY AND NOT INTENDED FOR PRODUCTION

UNLESS OTHERWISE SPECIFIED, DIMENSIONS ARE IN MILLIMETERS		NAME	DATE	TORTUGAAP <small>DWG NO.</small>	
DRAWN	RAPHAEL PILON	04/15/2020	TITLE		
CHECKED	FAL	04/15/2020	SIZE	DWG NO.	REV.
APPROVED			A	TAP-005	A
DO NOT SCALE DRAWING BREAK ALL SHARP EDGES AND REMOVE BURRS		MATERIAL	SCALE	WEIGHT	SHEET
THIRD ANGLE PROJECTION		ZEP PAPER	2:1		1 of 1
		FINISH			